

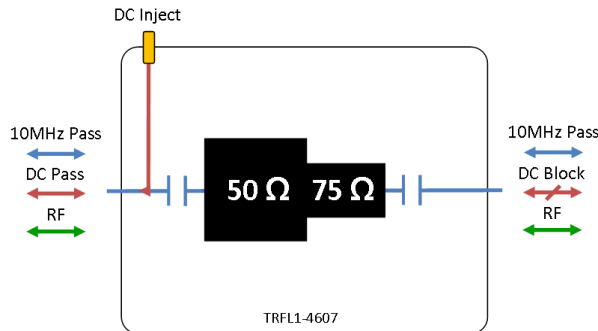


Model Number:
TRFL1-4607

RF Components

L-Band Impedance Transformer

850 - 2150 MHz



- 75 Ω port DC Blocked
- 50 Ω port DC Inject

Available with RF connector options:

- 50 Ω SMA
- 50 Ω N-type
- 50 Ω BNC
- 75 Ω BNC
- 75 Ω F-type



Compact

Housed in rugged compact enclosure

Flexible Mounting

Tapped screw & through hole mounting options

850-2150 MHz
Operating frequency range.

RF Parameters							
TRFL1-4607	S5B7	S5F7	N5B7	N5F7	B5B7	B5F7	
Frequency Range	850 - 2150 MHz						
RF Connectors	50Ω SMA 75Ω BNC	50Ω SMA 75Ω F-Type	50Ω N-Type 75Ω BNC	50Ω N-Type 75Ω F-Type	50Ω BNC 75Ω BNC	50Ω BNC 75Ω F-TYPE	
Insertion Loss (dB)	Typ.	0.6	0.7	0.6	0.7	0.6	0.7
	Max.	0.8	1.0	0.9	1.0	0.9	1.0
Flatness ± (dB)	0.5						
50Ω Port							
Return Loss (dB)	Typ.	18	18	18	18	16	16
	Min	12	12	12	12	10	10
75Ω Port							
Return Loss (dB)	Typ.	16	14	16	14	16	14
	Min	12	12	12	12	10	10

Broadcast



Marine Oil & Gas



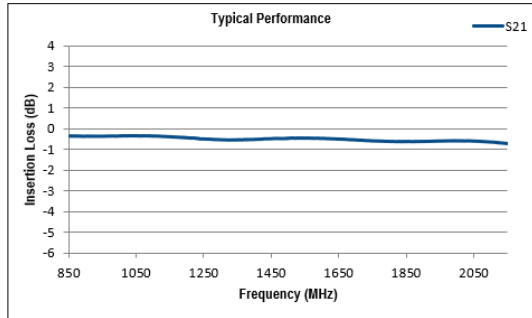
SNG & VSAT



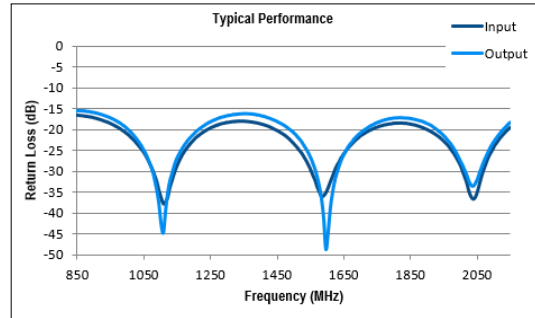
Satellite Teleport



Technical specifications and operating parameters



Insertion Loss (dB)



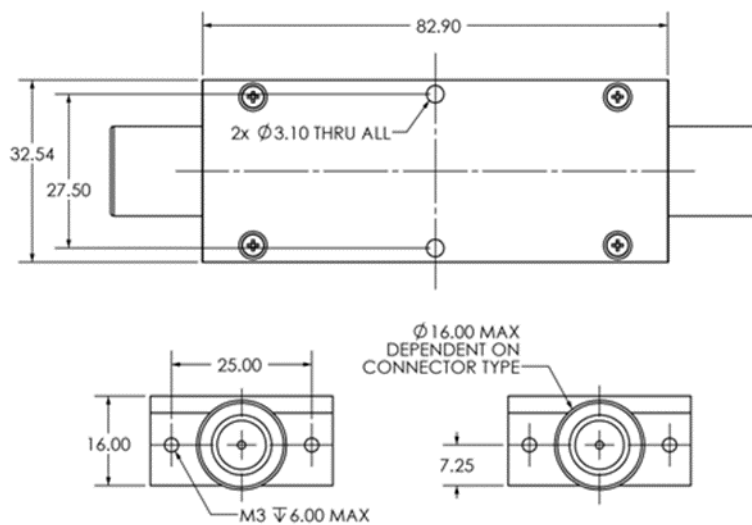
Return Loss (dB)

Environmental		
Operating Temperature		0°C to +45°C
Storage Temperature		-20°C to +75°C
Location		Indoor use Only
Humidity	Max	85% non-condensing
Altitude	Max	10,000 feet

Max Operating Parameters		
Input RF Power		+37 dBm (5W)
DC Voltage		50V
DC Current	Max	3.5A

! Operation beyond these limits may cause instantaneous and permanent damage.

Physical Dimensions (mm)



Note: The specification is subject to regular reviews and will be updated from time to time as part of our continuing product development and improved specification accuracy.